

AURORALIGHT

PROJECT: _____

SKU #: _____

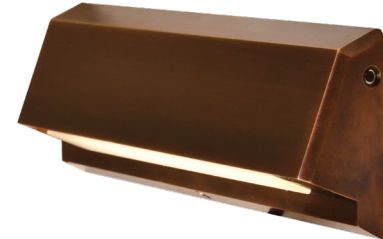
TYPE: _____

LUMISTEP

STW612106

The Lumistep is a surface-mounted LED wall light that offers excellent illumination of walls and walkways mounted at 24 to 36" height or subtle, well-distributed light when mounted low on a stair riser.

- Dual listed for interior and exterior wet location use
- Thermally Integrated® w/ Copper Core Technology®
- Cree LED™ XP-L® High Density
- Ideal for stairs, pathways and architecture



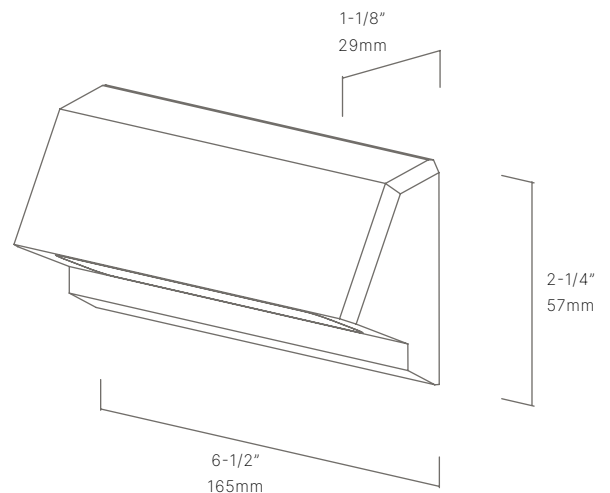
CONFIGURATOR:

STW612106	LED	FINISH
() = Most common configuration	(2701) 2700K 1W (2703) 2700K 3W (3001) 3000K 1W (3003) 3000K 3W	(NAT) Natural Brass (BLP) Bronze Living Patina (BLPX) Extra Dark BLP (NI) Nickel PVD

AVAILABLE FINISHES:



FIXTURE DIMENSIONS	L6-1/2" x W1-1/8" x H2-1/4"
LIGHT SOURCE	Integrated LED
COLOR TEMPERATURES	2700K, 3000K
WATTAGES	1W, 3W
CRI (RA)	80 CRI, 90 CRI
VOLTAGE	12V
DELIVERED LUMENS	110lm (3000K)
DIMMABLE	Yes, Dim to <10% via Transformer
DRIVER	Yes, 12V Integral Constant Current
TRANSFORMER	No, 12V AC/DC Transformer Required
MOUNT	Included Backplate
FINISH	Included Natural Brass
MATERIAL	Brass
WIRE LENGTH	24"
LOCATION	Exterior Damp
CERTIFICATIONS	UL, IP66, Dark Sky



*For complete warranty terms, please visit: www.auroralight.com/warranty/

P. 760.931.2910

O. 2742 Loker Ave. W Carlsbad CA 92010

W. www.auroralight.com

MADE IN USA
WITH DOMESTIC & IMPORTED MATERIALS



AURORALIGHT

PROJECT:

SKU #:

TYPE:

P. 760.931.2910

O. 2742 Loker Ave. W Carlsbad CA 92010

W. www.auroralight.com

MADE IN USA
WITH DOMESTIC & IMPORTED MATERIALS

